
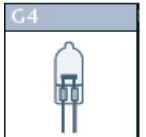




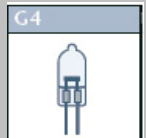





12 Volt Replacment Bulb Guide and
12 Volt LED Upgrade Guide
- by Boat Builder

| Boat Builder Part number(s) | Picture Series - Color | Cutout | Intercon Part # | Replacement Bulb | Replacement LED bulb |
|-----------------------------|--|---|-----------------|---|--|
| 5020332 |  Comet |  | 8710-CRS |  12V, 13.2V, 24V, 28V, 3W, 5W, 10W G410 - 10 Watt |  NEW (10 LEDs) 2.4W LEDG4S |
| 5020288 |  Corona |  | 8150-WH |  12V, 13.2V, 24V, 28V, 3W, 5W, 10W G410 - 10 Watt |  NEW (10 LEDs) 2.4W LEDG4B |
| 5020333 |  Opal |  | 8000-CR |  12V, 13.2V, 24V, 28V, 3W, 5W, 10W G410-10 Watt |  NEW (10 LEDs) 2.4W LEDG4B |
| 5020307 |  Opal |  | 8000-WH |  12V, 13.2V, 24V, 28V, 3W, 5W, 10W G410-10 Watt |  NEW (10 LEDs) 2.4W LEDG4B |
| 5020360 |  Smart |  | 8930 |  12V, 13.2V, 24V, 28V, 3W, 5W, 10W G45-5 Watt | N/A |
| 5020307 |  Soft |  | 8025-WH |  12V, 13.2V, 24V, 28V, 3W, 5W, 10W G410-10 Watt | N/A |

| | | | | | |
|---------|---|--|------------|--|---|
| 5020348 |  <p>Spot Gyro</p> | | 87072-WH10 |  <p>G4 1.2V, 13.2V, 24V, 28V. 3W, 5W, 10W</p> |  <p>LEDG4LR NEW (10 LEDs) 2.4W</p> |
| |  <p>Spot Gyro2</p> | | 87072-WHC |  <p>MR16 12V, 10W, 20W</p> | N/A |
| 5020330 |  <p>Square</p> | | 8611 |  <p>G4 1.2V, 13.2V, 24V, 28V. 3W, 5W, 10W</p> |  <p>G4LEDB NEW (10 LEDs) 2.4W</p> |

For additional 12 volt CD Lights and 12 volt DC LED lights and information - please visit our supplier's web site:
www.contoure.com