

For over 110 years **Tappan®** has been associated with cooking excellence and is a brand that is recognized and trusted in the marketplace.

The makers of **Tappan®** revolutionized the way the world cooks with the introduction of the first microwave oven model for home use.

Tappan® Microwave Ovens that are made for the Recreation industry.

TAPPAN®

Now the **Tappan®** brand charts a new course for the Marine and Recreational Industry....

For the Love of Cooking

TAPPAN®

For the Love of Cooking

SpaceSaver Compact Microwave Oven



TM5030W

Features

- Compact Countertop Microwave Oven
- .5 cu. ft. of Cooking Space
- 10" Glass turntable
- 10 Power Levels
- Express Cooking
- Jet Defrost
- Child Safety Lock

Specifications

- 550 Watts of Cooking Power
- Input Power 900 Watts
- Display – Digital Interactive
- Interior Oven Light
- Colors: Black - TM5030B; White – TM5030W
- Outside Dimensions
17 7/16" w x 9 5/8" h x 14 3/16" d
- Unit weight 30 lbs. / Ship Weight 31 lbs.

 LISTED

For 110 years Tappan® has been associated with cooking excellence.

Tappan® is a registered Trademark of Electrolux Home Products Inc. and exclusively distributed by:

ContoureTM
For Small Spaces In Great Places.

Contoure Int, Inc.

1540 Northgate Blvd.,
Sarasota, FL 34234
Ph: 1-888-551-1041
Fax: 941-355-1558
www.contoure.com

TAPPAN®

For the Love of Cooking

SpaceSaver Compact Microwave Oven



TM5030B

Features

- Compact Countertop Microwave Oven
- .5 cu. ft. of Cooking Space
- 10" Glass turntable
- 10 Power Levels
- Express Cooking
- Jet Defrost
- Child Safety Lock

Specifications

- 550 Watts of Cooking Power
- Input Power 900 Watts
- Display – Digital Interactive
- Interior Oven Light
- Colors: Black - TM5030B; White – TM5030W
- Outside Dimensions
17 7/16" w x 9 5/8" h x 14 3/16" d
- Unit weight 30 lbs. / Ship Weight 31 lbs.

 LISTED

For 110 years Tappan® has been associated with cooking excellence.

Tappan® is a registered Trademark of Electrolux Home Products Inc. and exclusively distributed by:

Contoure™
For Small Spaces In Great Places.

Contoure Int, Inc.

1540 Northgate Blvd.,
Sarasota, FL 34234
Ph: 1-888-551-1041
Fax: 941-355-1558
www.contoure.com

TAPPAN®

For the Love of Cooking

SpaceSaver Compact Microwave Oven



TM5050S

Features

- Compact Countertop Microwave Oven
- .5 cu. ft. of Cooking Space
- 10" Glass turntable
- 10 Power Levels
- Express Cooking
- Jet Defrost
- Child Safety Lock

Specifications

- 550 Watts of Cooking Power
- Input Power 900 Watts
- Display – Digital Interactive
- Interior Oven Light
- Color: Silver Front, Stainless Steel Case
- Outside Dimensions
17 7/16" w x 9 5/8" h x 14 3/16" d
- Unit weight 30 lbs. / Ship Weight 31 lbs.

 LISTED

For 110 years Tappan® has been associated with cooking excellence.

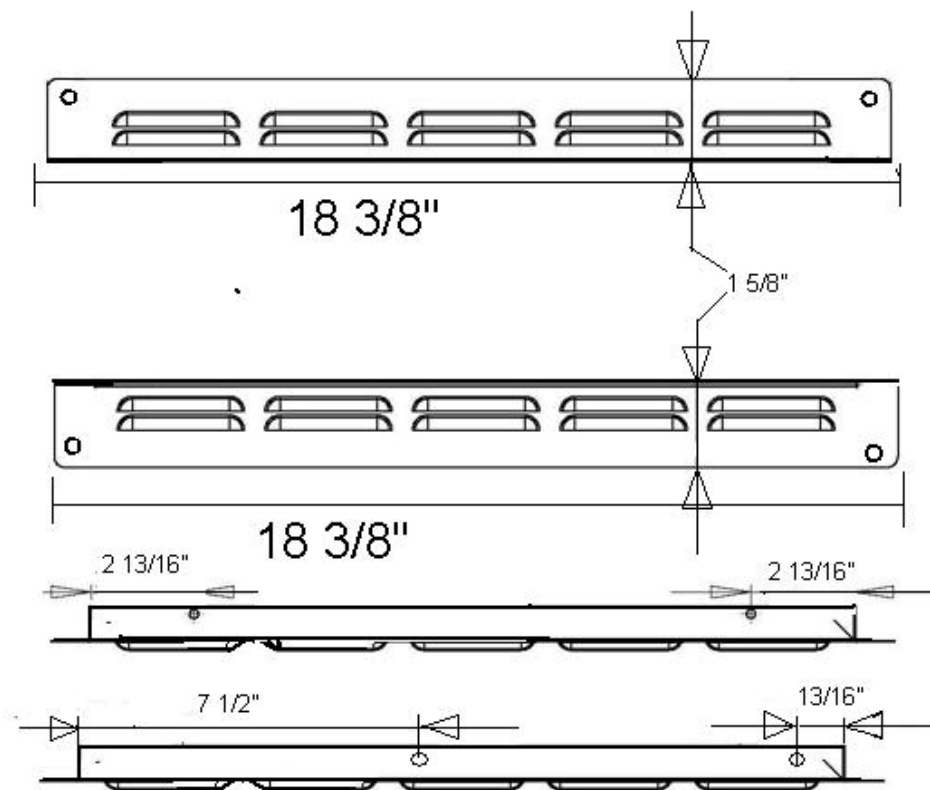
Tappan® is a registered Trademark of Electrolux Home Products Inc. and exclusively distributed by:

Contoure™
For Small Spaces In Great Places.

Contoure Int, Inc.
1540 Northgate Blvd.,
Sarasota, FL 34234
Ph: 1-888-551-1041
Fax: 941-355-1558
www.contoure.com

TK5030B (2 piece)

Black Trim Kit for .5 microwave



Contoure[™]
For Small Spaces In Great Places.

Contoure Int, Inc.
1540 Northgate Blvd.,
Sarasota, FL 34234
Ph: 1-888-551-1041
Fax: 941-355-1558
www.contoure.com