

Contoure™ electric cooktops combine beauty and ease of cleaning with the latest features in quick response heating. Add state of the art safety and these ceramic cooktops are leader in quality specialty cooking products.

The 1200 watt HiLight radiant elements are among the best in the world. The advanced design ensures a rapid heat-up and guarantees even heat.

Contoure™ Ceramic Cooktops

- Easy clean glass surface
- HiLight quick and efficient radiant heat
- Residual heat indicator light
- Push and turn safety controls
- 1200 watts Hi Light elements
- Both UL and CSA listed
- Available in both 120 and 240 volt

Contoure™
For Small Spaces In Great Places.

Classic Series

Classic Series electric cooktops feature a smooth black glass ceramic surface. The contemporary rounded edge makes these cooktops the perfect compliment to any counter surface. The surface is simple to clean and offers an easy transition from countertop to cooktop.

Classic Series which uses 1200 watt HiLight radiant elements are among the best in the world. The advanced design ensures a rapid heat-up and guarantees even heat.

Available in 120 volts and 240 volts

Classic Series Cooktops

- **CS1200PE Single Burner 120 Voltage**
- **CS2400PE Double Burner 120 Voltage**
- **CS3600PE Three Burner 120 Voltage**

- **CS1240PE Single Burner 240 Voltage**
- **CS2440PE Double Burner 240 Voltage**
- **CS3640PE Three Burner 240 Voltage**

ContoureTM
For Small Spaces In Great Places.

*Contoure*TM
For Small Spaces In Great Places.

Classic Series Ceramic Cooktops



CS1200PE – 120 volt Single Burner

Features

- Easy to clean glass surface
- HiLight quick heat
- Radiant heat elements
- Thermal limiters
- Push and turn safety controls
- Residual heat indicator light

Specifications

- 1,200 Watts per burner
 - 120 volt 60Hz
 - 10 amp breaker
- Outside Dimensions
11.8" L x 12.6" W x 3" D (includes cord)
- Cutout Dimensions
10.98" L X 11.77" W

 LISTED

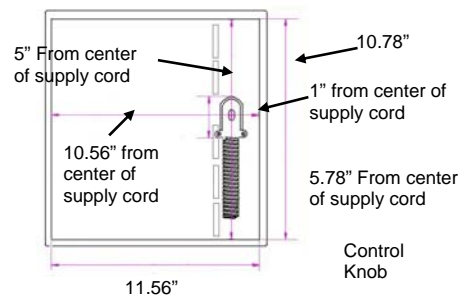
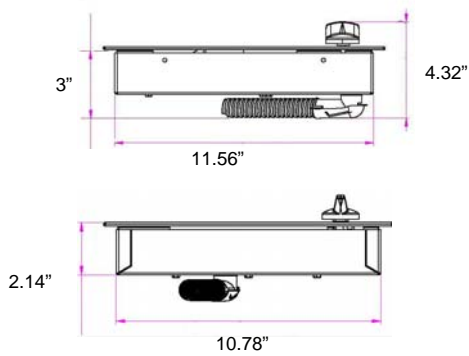
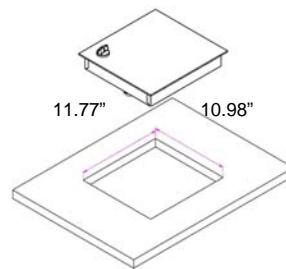
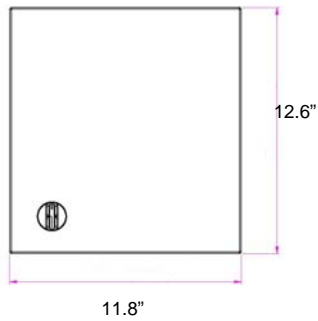
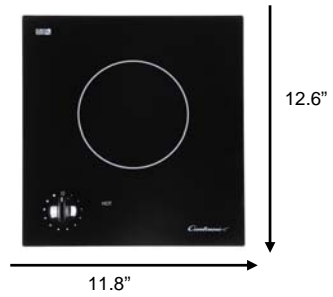
*Contoure*TM
For Small Spaces In Great Places.

Contoure Int, Inc.

1540 Northgate Blvd.,
Sarasota, FL 34234
Ph: 1-888-551-1041
Fax: 941-355-1558
www.contoure.com

Contoure™

For Small Spaces In Great Places.



ContoureTM
For Small Spaces In Great Places.

Classic Series Ceramic Cooktops



◆ CS2400PE – 120volt 2 burner

Features

- Easy to clean glass surface
- HiLight quick heat
- Radiant heat elements
- Thermal limiters
- Push and turn safety controls
- Residual heat indicator light

Specifications

- 1,200 Watts per burner
 - 120 volt 60Hz
 - 20 amp breaker
- Outside Dimensions
19.7" L x 11.8" W x 3" D (includes cord)
- Cutout Dimensions
19.1" L X 11" W

 LISTED

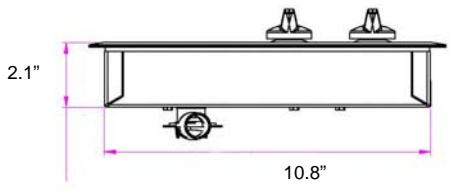
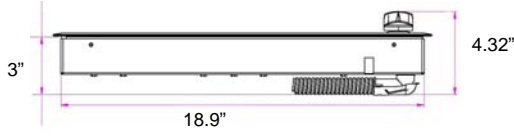
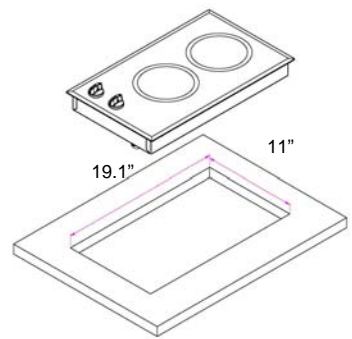
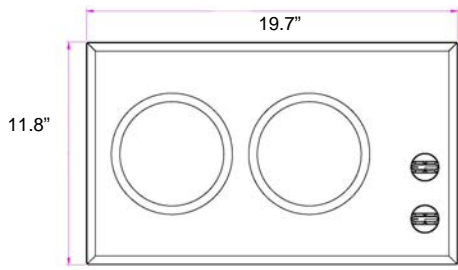
ContoureTM
For Small Spaces In Great Places.

Contoure Int, Inc.

1540 Northgate Blvd.,
Sarasota, FL 34234
Ph: 1-888-551-1041
Fax: 941-355-1558
www.contoure.com

Contoure™

For Small Spaces In Great Places.



ContoureTM
For Small Spaces In Great Places.

Classic Series Ceramic Cooktops



CS3600PE – 120 volt 3 burner

Features

- Easy to clean glass surface
- HiLight quick heat
- Radiant heat elements
- Thermal limiters
- Push and turn safety controls
- Residual heat indicator light

Specifications

- 1,200 Watts per burner
 - 120 volt 60Hz
 - 30 amp breaker
- Outside Dimensions
20.66" L x 19.09" W x 3" D (includes cord)
- Cutout Dimensions
19.76" L X 18.19" W

 LISTED

ContoureTM
For Small Spaces In Great Places.

Contoure Int, Inc.

1540 Northgate Blvd.,
Sarasota, FL 34234
Ph: 1-888-551-1041
Fax: 941-355-1558
www.contoure.com

Contoure™
 For Small Spaces In Great Places.

