

Contoure™ electric cooktops combine beauty and ease of cleaning with the latest features in quick response heating. Add state of the art safety and these ceramic cooktops are leader in quality specialty cooking products.

The 1200 watt HiLight radiant elements are among the best in the world. The advanced design ensures a rapid heat-up and guarantees even heat.

Contoure™ Ceramic Cooktops

- Easy clean glass surface
- HiLight quick and efficient radiant heat
- Residual heat indicator light
- Push and turn safety controls
- 1200 watts Hi Light elements
- Both UL and CSA listed
- Available in both 120 and 240 volt

Contoure™
For Small Spaces In Great Places.

Designer Series

Designer Series features elegant beveled edges giving these cooktops a sleek contemporary appearance. The frameless design allows custom fit and provides ease of cleaning.

Designer Series which uses 1200 watt HiLight radiant elements are among the best in the world. The advanced design ensures a rapid heat-up and guarantees even heat.

Available in 120 volts and 240 volts

Designer Series

- ***CS1200BV Single Burner 120 Voltage***
- ***CS2400BV Double Burner 120 Voltage***
- ***CS3600BV Three Burner 120 Voltage***

- ***CS1240BV Single Burner 240 Voltage***
- ***CS2440BV Double Burner 240 Voltage***
- ***CS3640BV Three Burner 240 Voltage***

Contour™
For Small Spaces In Great Places.

ContoureTM
For Small Spaces In Great Places.

Designer Series Ceramic Cooktops



CS1200BV 120 volt – Single Burner

Features

- Easy to clean glass surface
- HiLight quick heat
- Radiant heat elements
- Thermal limiters
- Push and turn safety controls
- Residual heat indicator light

Specifications

- 1,200 Watts per burner
 - 120 volt 60Hz
 - 10 amp breaker
- Outside Dimensions
11.8" L x 12.6" W x 3" D (includes cord)
- Cutout Dimensions
10.98 L X 11.77" W

 LISTED

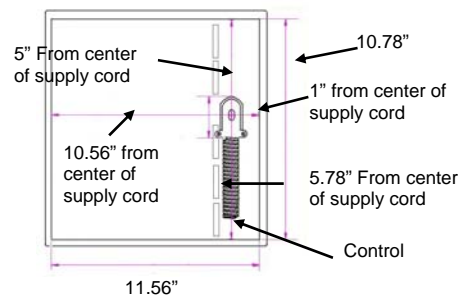
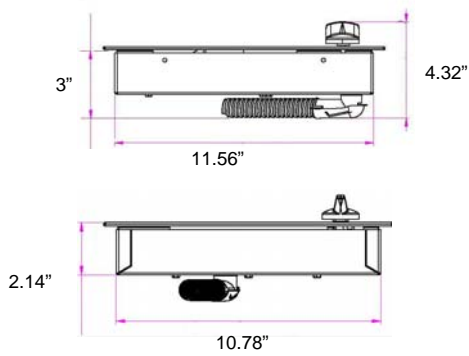
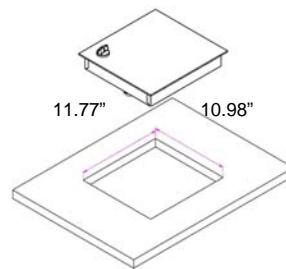
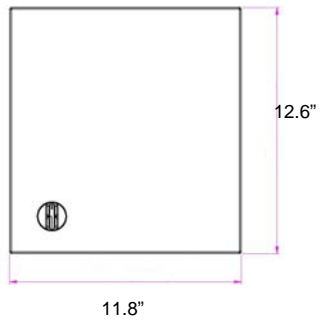
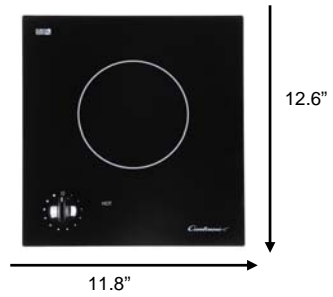
ContoureTM
For Small Spaces In Great Places.

Contoure Int, Inc.

1540 Northgate Blvd.,
Sarasota, FL 34234
Ph: 1-888-551-1041
Fax: 941-355-1558
www.contoure.com

Contoure™

For Small Spaces In Great Places.



ContoureTM
For Small Spaces In Great Places.

Designer Series Ceramic Cooktops



CS2400BV – 120 volt 2 Burner

Features

- Easy to clean glass surface
- HiLight quick heat
- Radiant heat elements
- Thermal limiters
- Push and turn safety controls
- Residual heat indicator light

Specifications

- 1,200 Watts per burner
 - 120 volt 60Hz
 - 20 amp breaker
- Outside Dimensions
19.7" L x 11.8" W x 3" D (includes cord)
- Cutout Dimensions
19.1" L X 11" W

 LISTED

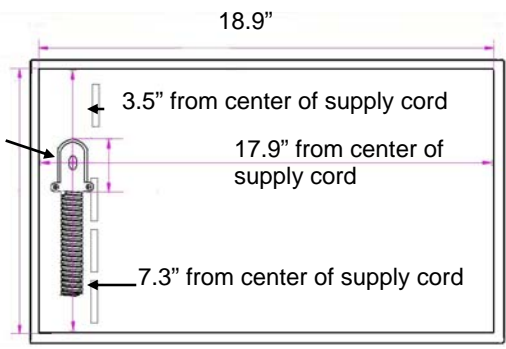
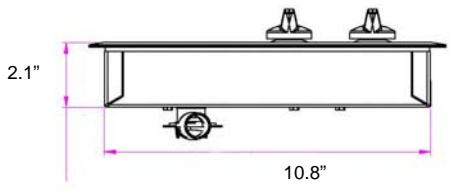
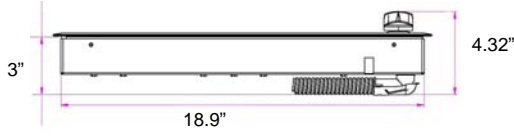
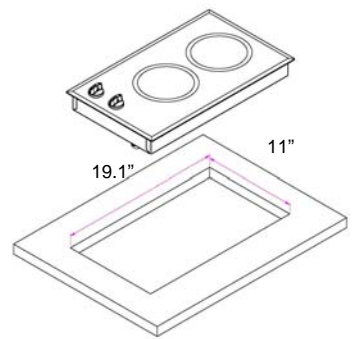
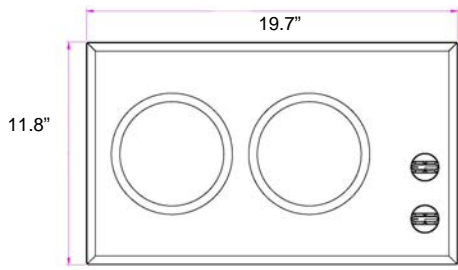
ContoureTM
For Small Spaces In Great Places.

Contoure Int, Inc.

1540 Northgate Blvd.,
Sarasota, FL 34234
Ph: 1-888-551-1041
Fax: 941-355-1558
www.contoure.com

Contoure™

For Small Spaces In Great Places.



ContoureTM
For Small Spaces In Great Places.

Designer Series Ceramic Cooktops



CS3600BV – 120 volt 3 burner

Features

- Easy to clean glass surface
- HiLight quick heat
- Radiant heat elements
- Thermal limiters
- Push and turn safety controls
- Residual heat indicator light

Specifications

- 1,200 Watts per burner
 - 120 volt 60Hz
 - 30 amp breaker
- Outside Dimensions
20.66" L x 19.09" W x 3" D (includes cord)
- Cutout Dimensions
19.76" L X 18.19" W

 LISTED

ContoureTM
For Small Spaces In Great Places.

Contoure Int, Inc.
1540 Northgate Blvd.,
Sarasota, FL 34234
Ph: 1-888-551-1041
Fax: 941-355-1558
www.contoure.com

Contoure™
 For Small Spaces In Great Places.

